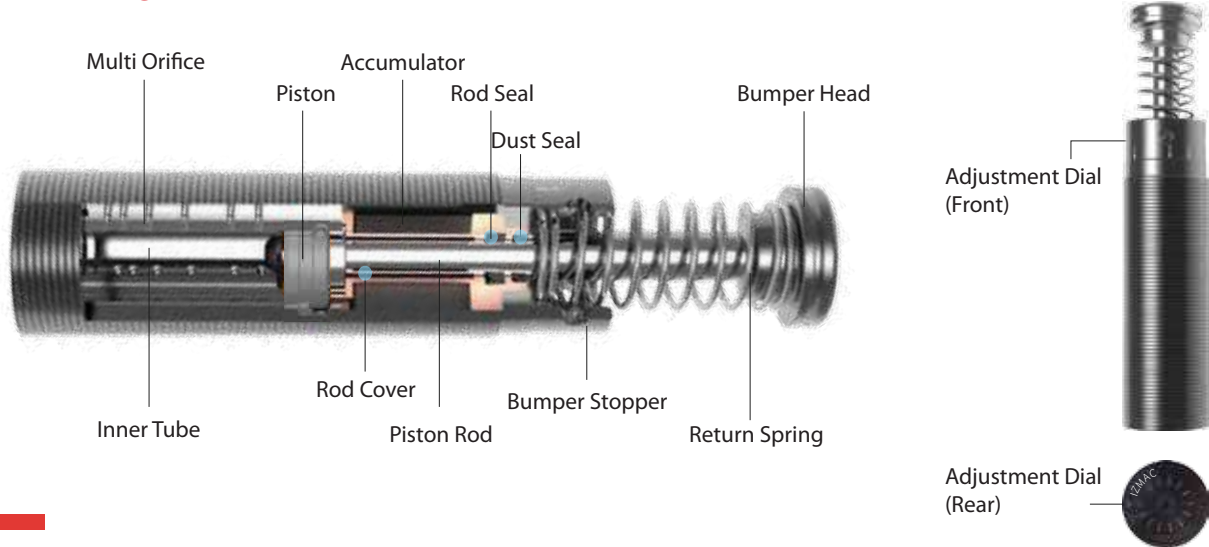


# ISA Series Mid dial type

## IZMAC Straight Type Absorber (middle class)



## FEATURES

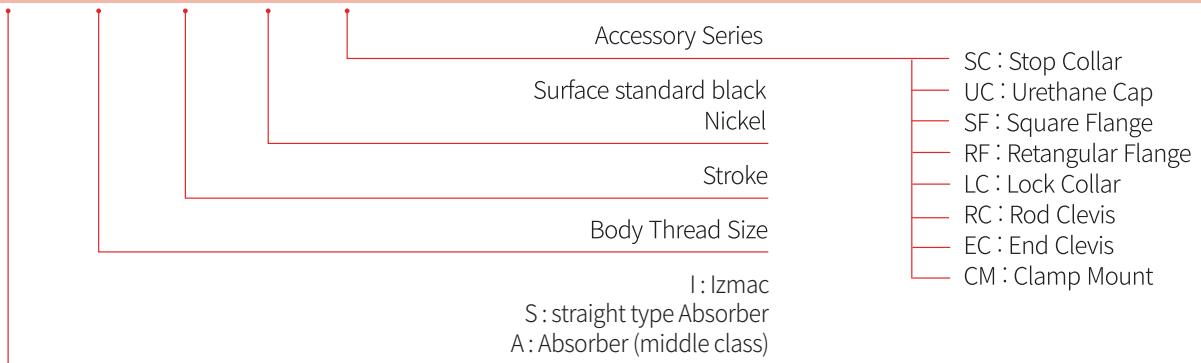
- 1 According to the collision speed, you can fit the buffer dial from 0 to 300 degrees in 12 steps.
- 2 Adjustment is easy in various installation environment by adopting front and rear adjustment dial.
- 3 Shock absorber body is built as one body, not only robust also fundamentally solves the shoot out trouble so called bottom out problem.
- 4 The entire body is threaded and easy to assemble. Also, due to the surface area is increased, the heat energy which comes from shock absorption can be emitted to the outside faster.
- 5 Piston rod is hard chrome-plated. Rod cover is a special material that can be used even for a long time, it protects seal and guarantees life.
- 6 Body surface treatment is resistant to corrosion by nickel plating or alloy plating (Black).
- 7 By using urethane cap, noise can be reduced.
- 8 Speed ranges : 0.3 ~ 5m/s
- 9 Temperature ranges : -10 ~ 80°C • Special : -40 ~ 120°C(Oil and Seal)

## APPLICATIONS

Pick n place robot, packing machine, loom, machine tool, automobile manufacturing facility, crane etc.

## ISA SERIES ORDERING INFORMATION

ISA - 42 - 50 - N - SC

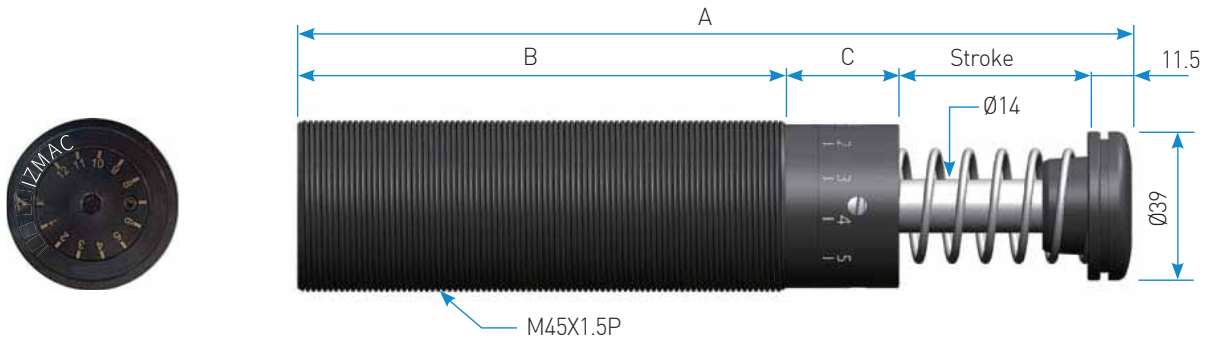


# ISA45 Series

Best engineered  
for energy absorption  
technology

## Engineering Data

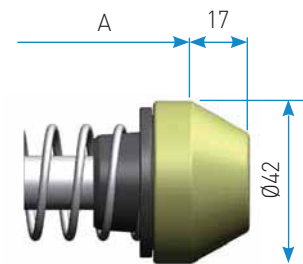
Model	Stroke (mm) St	Max. Energy / Cycle (Nm) $E_T$	Max. Energy / Hour (Nm/h) $E_T C$	Effective Weight (kg) $m_e$	Recoil Forec(N)		Weight(kg)
					Ext.	Comp.	
ISA45 - 25	25	650	195,000	50-13,354	49.7	82.8	1.13
- 50	50	1,300	260,000	99-26,700	45.6	54	1.3
- 75	75	2,000	300,000	148-39,060	44.3	86.3	1.52



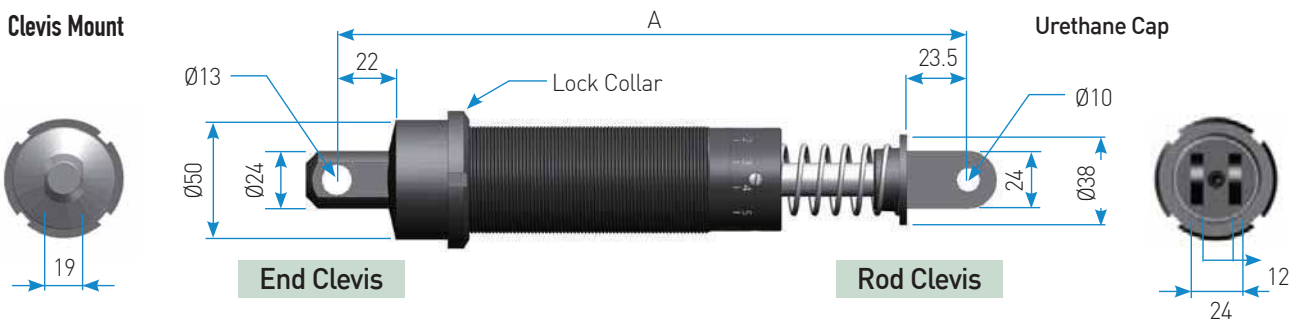
## Dimensions

(unit : mm)

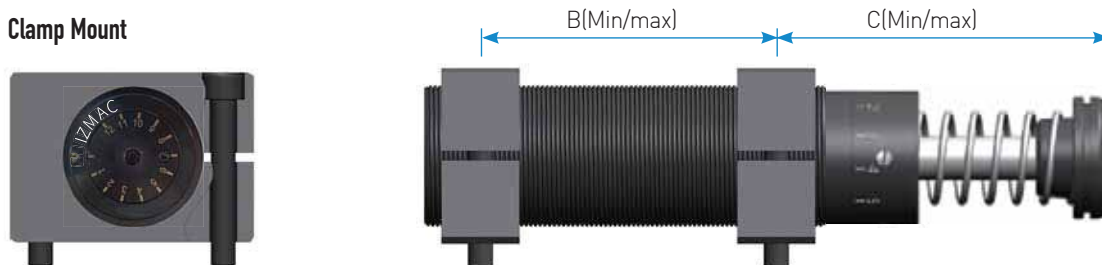
Model	Stroke	A	B	C
ISA45 - 25	25	159.5	93	30
- 50	50	220.5	129	30
- 75	75	292.5	168.5	37.5



### Clevis Mount



### Clamp Mount



## Accessories

- Other accessories to be ordered separately

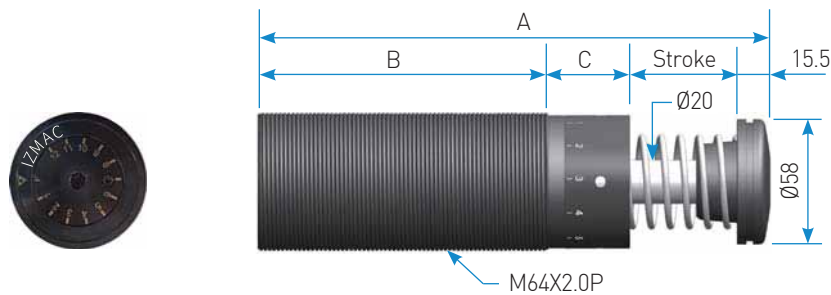
(unit : mm)

Model	ISA45-25	ISA45-50	ISA45-75
A	210	271	343
B(Min/Max)	25/68	25/104	25/143.5
C(Min/Max)	79.5/100.5	104/143.5	37.5/129/170.75

# ISA64 Series

## Engineering Data

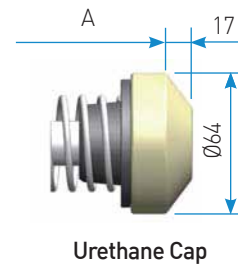
Model	Stroke (mm)	Max.Energy / Cycle(Nm) $E_T$	Max.Energy / Hour(Nm/h) $E_{T,C}$	Effective Weight(kg) $m_e$	Recoil Forec(N)		Weight(kg)
					Ext.	Comp.	
ISA64 - 25	25	1,250	152,000	92~24,400	61.8	110	2.9
- 50	50	2,500	248,000	185-48.800	60.8	133.2	3.3
- 75	75	3,750	265,000	277-73,240	61.4	148.3	3.8
- 100	100	5,000	360,000	370-97,650	59.4	140.1	4
- 125	125	6,250	413,000	462-122,000	57.1	160.4	7.7
- 150	150	7,500	450,000	555-146,480	51	166.8	8.9



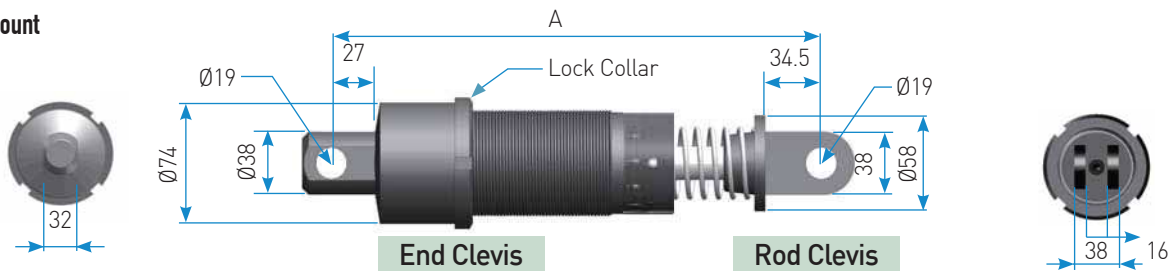
## Dimensions

(unit : mm)

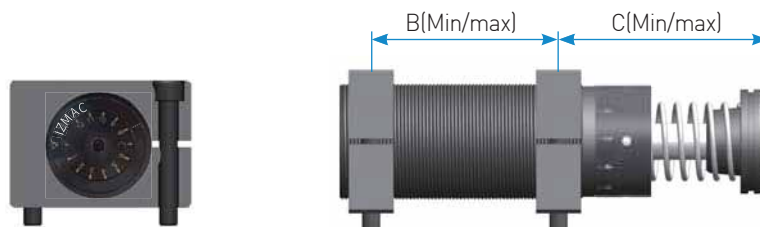
Model	Stroke	A	B	C
ISA64 - 25	25	176	97.5	38
- 50	50	239	135.5	38
- 75	75	309	173.5	45
- 100	100	375	214.5	45
- 125	125	452	256.5	55
- 150	150	518.5	294.5	58.5



### Clevis Mount



### Clamp Mount



## Accessories

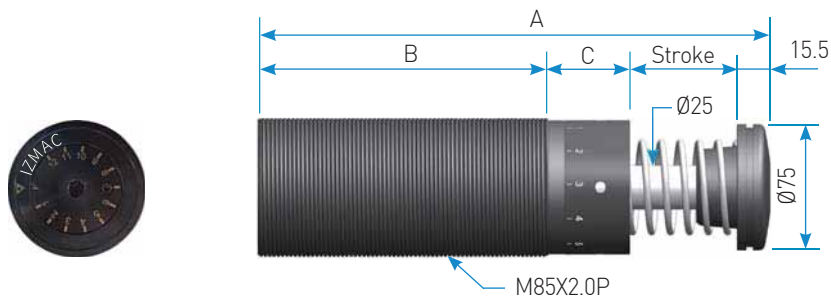
- Other accessories to be ordered separately

(unit : mm)

Model	ISA64 -25	ISA64 -50	ISA64 -75	ISA64 -100	ISA64 -125	ISA64 -150
A	244	307	377	442	520	-
B(Min/Max)	25/72.5	25/110.5	25/148.5	25/189.5	25/231.5	25/269.5
C(Min/Max)	92.5/116.25	117.5/160.25	149.5/211.25	174.5/256.75	209.5/312.75	238/360.25

## Engineering Data

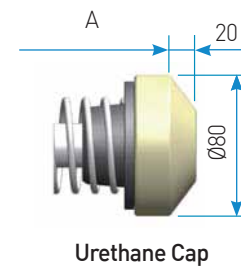
Model	Stroke (mm)	Max. Energy / Cycle(Nm) $E_T$	Max. Energy / Hour(Nm/h) $E_{TC}$	Effective Weight(kg) $m_e$	Recoil Forec(N)		Weight(kg)
					Ext.	Comp.	
ISA85 - 25	25	2,000	330,000	148-39,600	132	245.8	5.4
- 50	50	4,000	462,000	296-78,100	131.6	271.7	6.5
- 75	75	6,000	680,000	444-117,200	130	325.1	7.9
- 100	100	8,000	825,000	591-156,300	125.4	327.7	9.2
- 125	125	10,000	859,000	740-195,300	126.6	343.3	10.4
- 150	150	12,000	901,000	930-220,300	126.6	386.7	12



## Dimensions

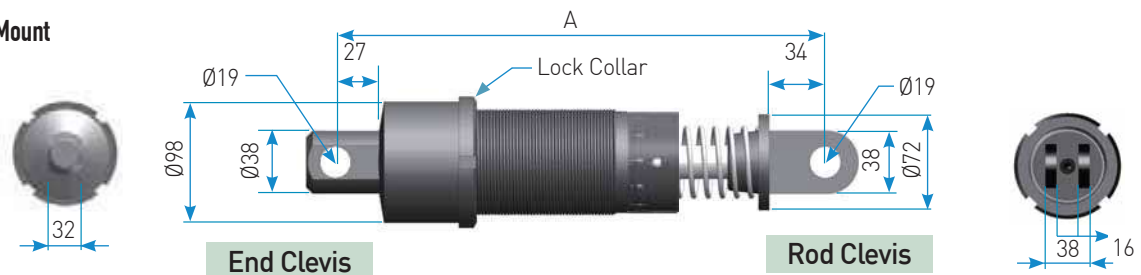
(unit : mm)

Model	Stroke	A	B	C
ISA85 - 25	25	189.5	109	40
- 50	50	251	145.5	40
- 75	75	314.5	180	44
- 100	100	384.5	217	52
- 125	125	452.5	256	56
- 150	150	513.5	292	56

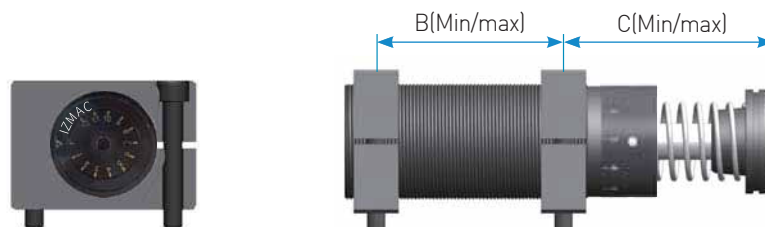


Urethane Cap

### Clevis Mount



### Clamp Mount



## Accessories

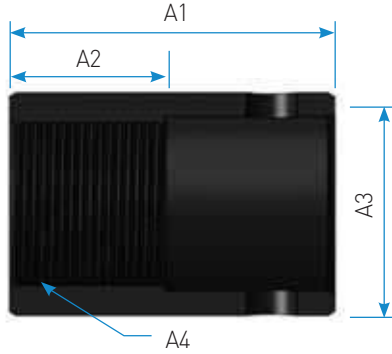
- Other accessories to be ordered separately

(unit : mm)

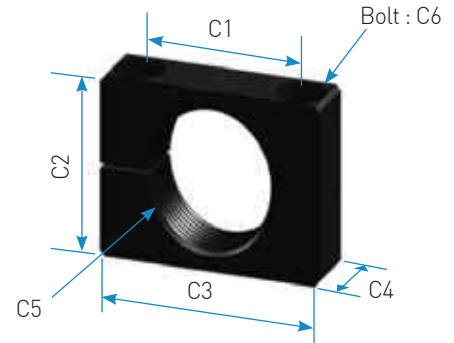
Model	ISA85 -25	ISA85 -50	ISA85 -75	ISA85 -100	ISA85 -125	ISA85 -150
A	256	316	381	451	519	-
B(Min/Max)	25/79	25/114	25/150	25/187	25/226	25/262
C(Min/Max)	95.5/120	120.5/162.5	149/209.5	182.5/261	211.5/309.5	236.5/352.5

## ■ Accessories

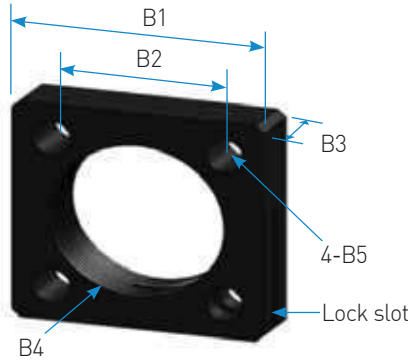
**Stop Collar**



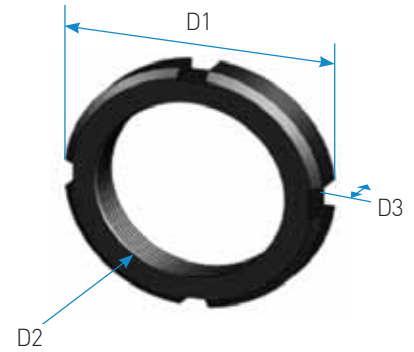
**Clamp Mount**



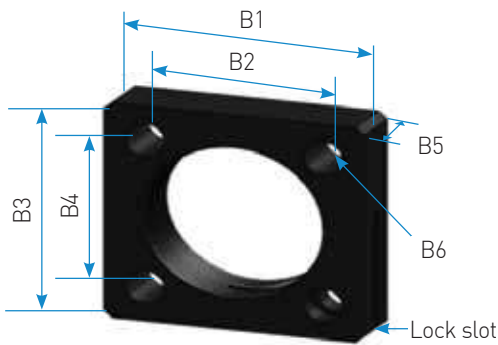
**Square Flange**



**Lock Collar**



**Rectangular Flange**



Rectangular Flange	B1	B2	B3	B4	B5	B6
RF45X1.5	78	60	60	41	14	Ø9
RF64X2.0	115	87.6	90	70	16	Ø11

## ■ Dimensions

(unit : mm)

Stop Collar	Square Flange	Clamp Mount	Lock Nut	A1	A2	A3	A4	B1	B2	B3	B4	B5	C1	C2	C3	C4	C5	C6	D1	D2	D3
SC45X1.5	SF45X1.5	CM45X1.5	LN45X1.5	52	25	Ø56	M45 X 1.5P	□60	□41	14	M45 X 1.5P	Ø9	60	56	80	25	M45 X 1.5P	M8 X 60L	Ø58	M45 X 1.5P	9
SC64X2.0	SF64X2.0	CM64X2.0	LN64X2.0	85	45	Ø75	M64 X 2.0P	□90	□70	16	M64 X 2.0P	Ø11	78	80	100	25	M64 X 2.0P	M10 X 80L	Ø80	M64 X 2.0P	11
SC85X2.0	SF85X2.0	CM85X2.0	LN85X2.0	95	45	Ø98	M85 X 2.0P	□104	□76	19	M85 X 2.0P	Ø13	115	100	145	30	M85 X 2.0P	M14 X 100L	Ø110	M85 X 2.0P	16